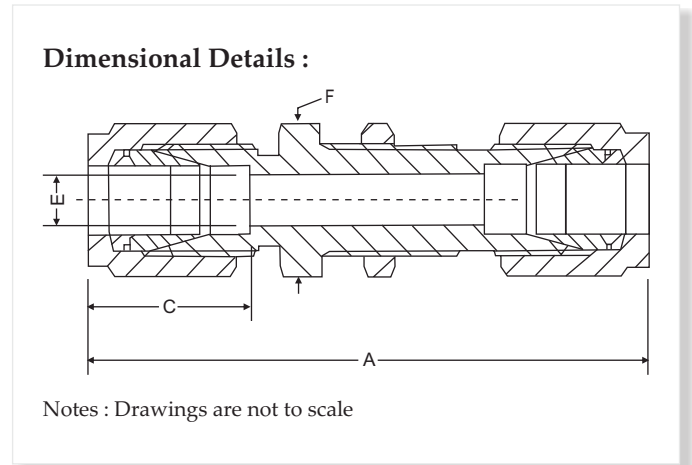


BULKHEAD UNION



Dimension, in.

Tube OD	Part Number	A	C	E	F	Panel Hole Size	Max Panel Thickness
1/8	K2UBH2	2.02	0.50	0.09	1/2	21/64	0.50
1/4	K4UBH4	2.27	0.60	0.19	5/8	29/64	0.40
5/16	K5UBH5	2.39	0.64	0.25	1/16	33/64	0.44
3/8	K6UBH6	2.45	0.66	0.28	3/4	37/64	0.44
1/2	K8UBH8	2.80	0.90	0.41	15/16	49/64	0.50
5/8	K10UBH10	2.86	0.96	0.56	11/16	57/64	0.50
3/4	K12UBH12	3.11	0.96	0.62	13/16	11/64	0.66
1	K16UBH16	3.77	1.23	0.88	15/8	121/64	0.75

Dimension, mm.

Tube OD	Part Number	A	C	E	F	Panel Hole Size	Max Panel Thickness
6	KUBHM6	57.7	15.3	4.8	16	11.5	10.2
8	KUBHM8	61.0	16.2	6.4	18	13.1	11.2
10	KUBHM10	63.7	17.2	7.9	22	16.3	11.2
12	KUBHM12	71.0	22.8	9.5	24	19.5	12.7
16	KUBHM16	72.5	24.4	12.7	27	22.8	12.7
18	KUBHM18	78.9	24.4	15.1	30	26.0	16.8
20	KUBHM20	84.5	26.0	15.9	35	29.0	19.0

Note:

- A and C dimensions are typical finger-tight

Dimensions and specifications shown are approximate, may vary from time to time.

Ventil tube fittings are ordered by part numbers as listed in this catalogue and other sizes will be available on request.